



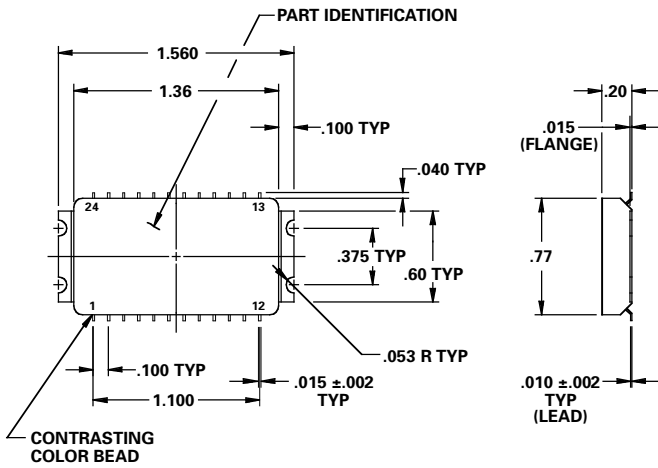
**MODEL NO.
DX0907**

Attenuator and Power Amplifier

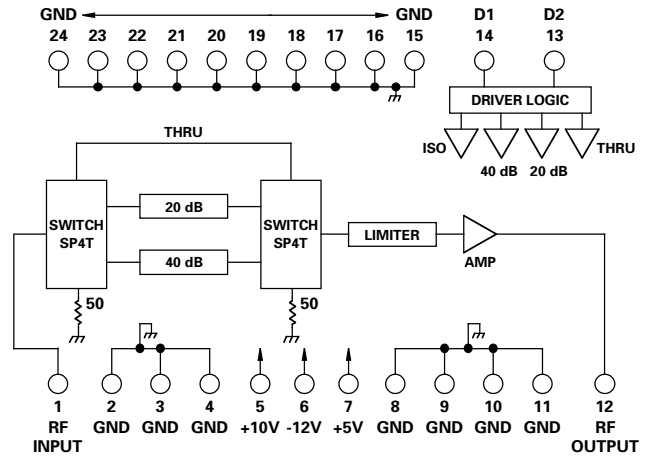
FEATURES

- 100 - 400 MHz
- 18 dB Gain
- ±0.5 dB Flatness
- Input Can Be Terminated
- Limiter for Amplifier Protection
- 24 Pin Surface Mount Package

MFD



.xx = .02
.xxx = .010



GUARANTEED PERFORMANCE

Parameter	Min	Typ	Max	Units	Conditions
Operating Frequency	100		400	MHz	
DC Current		100		mA	At +10 VDC Supply
		50		mA	At +5 VDC Supply
		50		mA	At -12 VDC Supply
Control Type		TTL			2 Line
Control Current	High		±40	µA	VIH = +2.7V
	Low		±40	µA	VIL = +0.5V
Insertion Gain		18		dB	
	Insertion Flatness		±0.5	dB	
	Noise Figure		4.5	dB	
Isolation		40		dB	When Input Terminated
Attenuation	LSB	0	20	dB	20, 40 Non-Additive
	Range		40	dB	
	Accuracy		±1.0	dB	
VSWR			2.5/1		
Impedance		50		OHMS	
Switching Speed			200	nSec	50% TTL to 90% / 10% RF
RF Power	Operate		-10	dBm	1.0 dB Compression
	No Damage		+20	dBm	
Operating Temperature	-55	+25	+85	°C	TA